

# Flo Saddles

The fastest, easiest way to tap into any line



## Flo-Tap™

- No interruption of water service
- No need to cut pipe
- Less installation labor
- Less installation space required
- No bolts
- No washers
- No nuts
- No rust

## Clamp-It™

- Less installation labor
- Less installation space required
- No bolts
- No washers
- No nuts
- No rust



**flo** Control  
Quality Products by NDS

# Clamp-It™ Saddles

Easy as 1, 2, 3.



Place the Saddle on a desired location and mark. Remove saddle, drill hole and deburr.



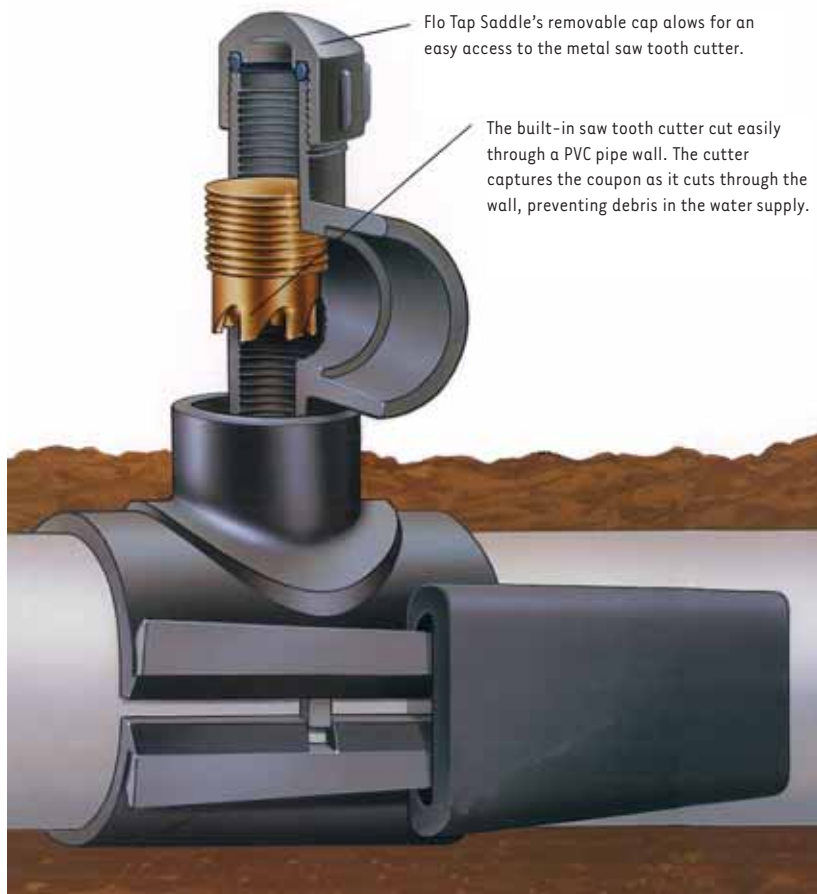
Place saddle over hole and attach easy clamping hinge around pipe.



Apply wedge half way by hand and finish off with a slight tap of a rubber mallet.

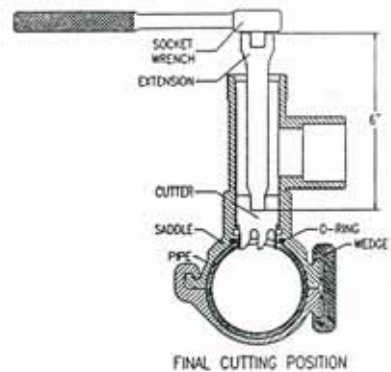
## No need to shut off the water with

# Flo-Tap™ Saddles



Flo Tap Saddle's removable cap allows for an easy access to the metal saw tooth cutter.

The built-in saw tooth cutter cut easily through a PVC pipe wall. The cutter captures the coupon as it cuts through the wall, preventing debris in the water supply.



Using a socket wrench with a 6" extension, turn the cutter clockwise to cut an opening in the pipe. It is sealed, so you don't need to shut off the water.



TOLL FREE 800-726-1994  
851 N. Harvard Avenue  
Lindsay, CA 93247  
[www.ndspro.com](http://www.ndspro.com)