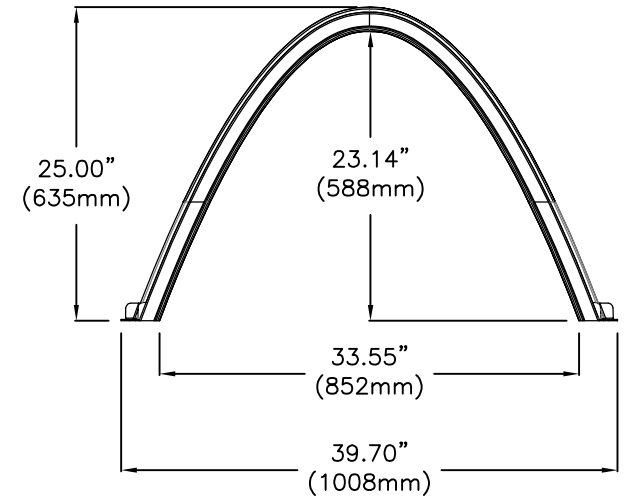
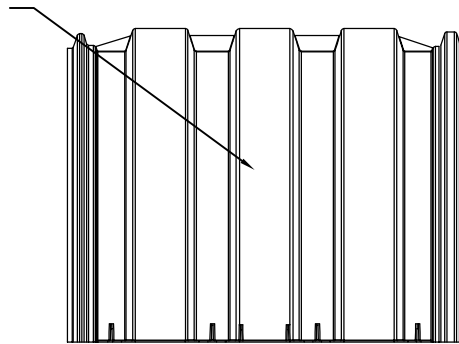


C-10 CHAMBER SPECS	
NOMINAL DIMENSIONS (LAYOUT LENGTH X WIDTH X HEIGHT)	29.58" X 39.70" X 25.00" (751mm X 1008mm X 635mm)
BARE CHAMBER STORAGE	9.8 CUBIC FEET (0.277 CUBIC METERS)
*MIN INSTALLED STORAGE	17.45 CUBIC FEET (0.494 CUBIC METERS)
CHAMBER WEIGHT	18 lbs (8.165 kg)
STORAGE PER LINEAR FOOT WITHOUT STONE	3.97 CUBIC FEET (0.112 CUBIC METERS)
STORAGE PER LINEAR FOOT WITH STONE	7.08 CUBIC FEET (0.200 CUBIC METERS)
*ASSUMING A MIN OF 6" (152mm) STONE ABOVE AND BELOW AND 6" (152mm) BETWEEN ROWS WITH 40% STONE POROSITY (DOES NOT INCLUDE 12" (305mm) PERIMETER STONE VOLUME)	
NOTE: C-10 CHAMBER DETAILS TESTED AND RATED FOR H-30 LOAD CONDITIONS WITH 18" (457mm) OF COVER AND NO PAVEMENT.	



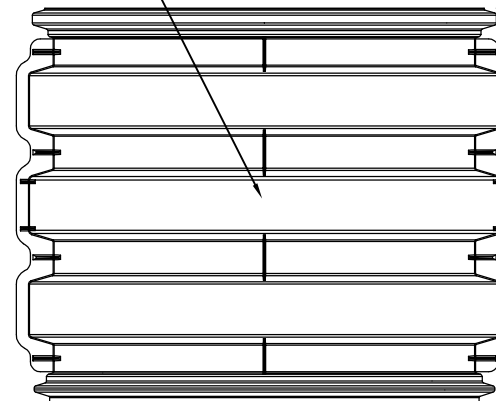
Ø12" (300mm)
MAX O.D. FOR
SIDE CONNECTION



3.60" (92mm)

2X4 SPACER SLOT TO HELP
KEEP CHAMBER ROWS STRAIGHT

Ø18" (450mm)
MAX O.D. FOR
TOP CONNECTION



29.58"
(751mm)
LAYOUT LENGTH

31.52"
(801mm)

CONCEPTUAL PLAN DISCLAIMER

THIS GENERIC DETAIL DOES NOT ENCOMPASS THE SIZING, FIT, AND APPLICABILITY OF THE TRITON CHAMBER SYSTEM FOR THIS SPECIFIC PROJECT. IT IS THE ULTIMATE RESPONSIBILITY OF THE DESIGN ENGINEER TO ASSURE THAT THE STORMWATER SYSTEM DESIGN IS IN FULL COMPLIANCE WITH ALL APPLICABLE LAWS AND REGULATIONS. TRITON PRODUCTS MUST BE DESIGNED AND INSTALLED IN ACCORDANCE WITH TRITON'S MINIMUM REQUIREMENTS. TRITON STORMWATER SOLUTIONS DOES NOT APPROVE PLANS, SIZING, OR SYSTEM DESIGNS. THE DESIGN ENGINEER IS RESPONSIBLE FOR ALL DESIGN DECISIONS.



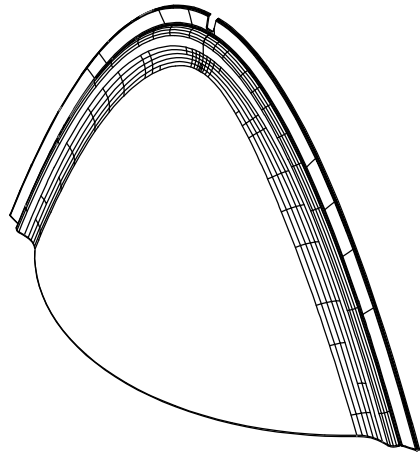
7600 EAST GRAND RIVER, STE.195
BRIGHTON, MI 48114
PHONE: (810) 222-7652 • FAX: (810) 222-1769
WWW.TRITONSW.COM

C-10 CHAMBER DETAIL

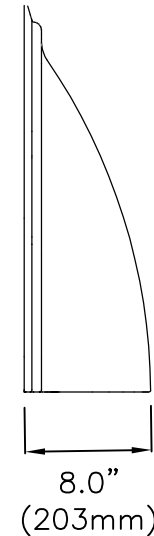
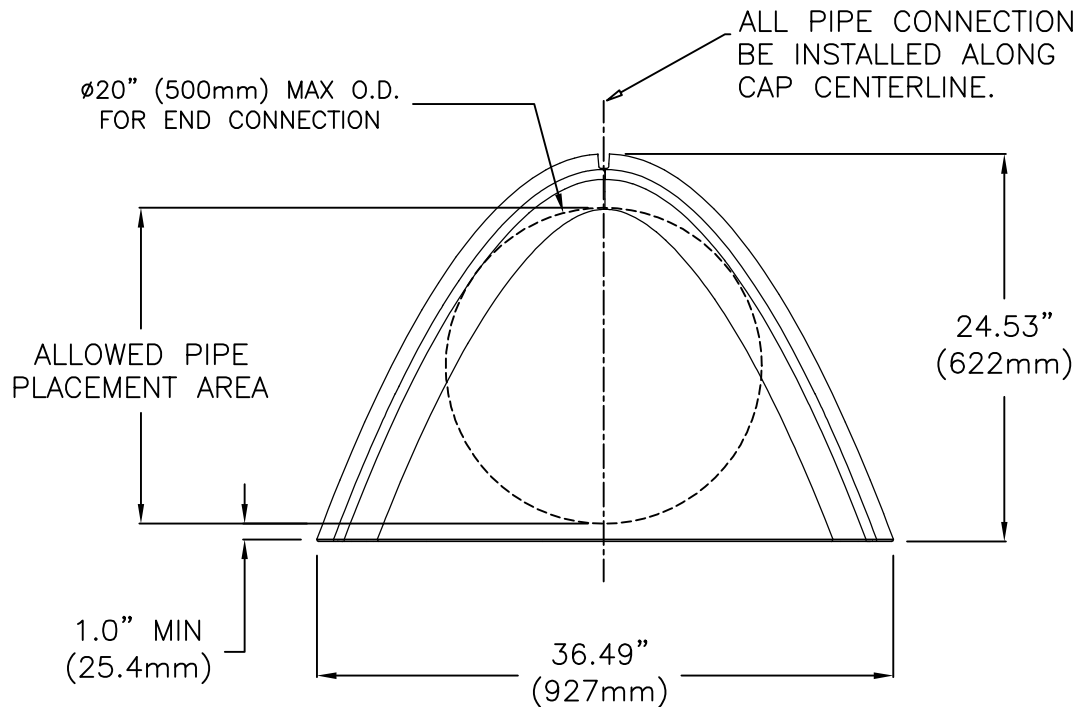
TRITON - STANDARD DETAILS

REVISED:

02-26-16 JWM



C-10 END CAP SPECS	
NOMINAL DIMENSIONS (LAYUP LENGTH X WIDTH X HEIGHT)	8.0" X 36.49" X 24.53" (203mm X 921mm X 622mm)
BARE END CAP STORAGE	1.21 CUBIC FEET (0.034 CUBIC METERS)
*MIN INSTALLED STORAGE	3.86 CUBIC FEET (0.109 CUBIC METERS)
*ASSUMING A MIN OF 6" (152mm) STONE ABOVE AND BELOW AND 6" (152mm) BETWEEN ROWS WITH 40% STONE POROSITY (DOES NOT INCLUDE 12" (305mm) PERIMETER STONE VOLUME)	



THE END CAP FITS UP INSIDE THE LAST CONNECTING RIBS OF THE C-10 CHAMBER

CONCEPTUAL PLAN DISCLAIMER
 THIS GENERIC DETAIL DOES NOT ENCOMPASS THE SIZING, FIT, AND APPLICABILITY OF THE TRITON CHAMBER SYSTEM FOR THIS SPECIFIC PROJECT. IT IS THE ULTIMATE RESPONSIBILITY OF THE DESIGN ENGINEER TO ASSURE THAT THE STORMWATER SYSTEM DESIGN IS IN FULL COMPLIANCE WITH ALL APPLICABLE LAWS AND REGULATIONS. TRITON PRODUCTS MUST BE DESIGNED AND INSTALLED IN ACCORDANCE WITH TRITON'S MINIMUM REQUIREMENTS. TRITON STORMWATER SOLUTIONS DOES NOT APPROVE PLANS, SIZING, OR SYSTEM DESIGNS. THE DESIGN ENGINEER IS RESPONSIBLE FOR ALL DESIGN DECISIONS.



7600 EAST GRAND RIVER, STE.195
 BRIGHTON, MI 48114
 PHONE: (810) 222-7652 • FAX: (810) 222-1769
 WWW.TRITONSW.COM

C-10 CHAMBER END CAP DETAIL

TRITON - STANDARD DETAILS

REVISED:

02-26-16 JWM