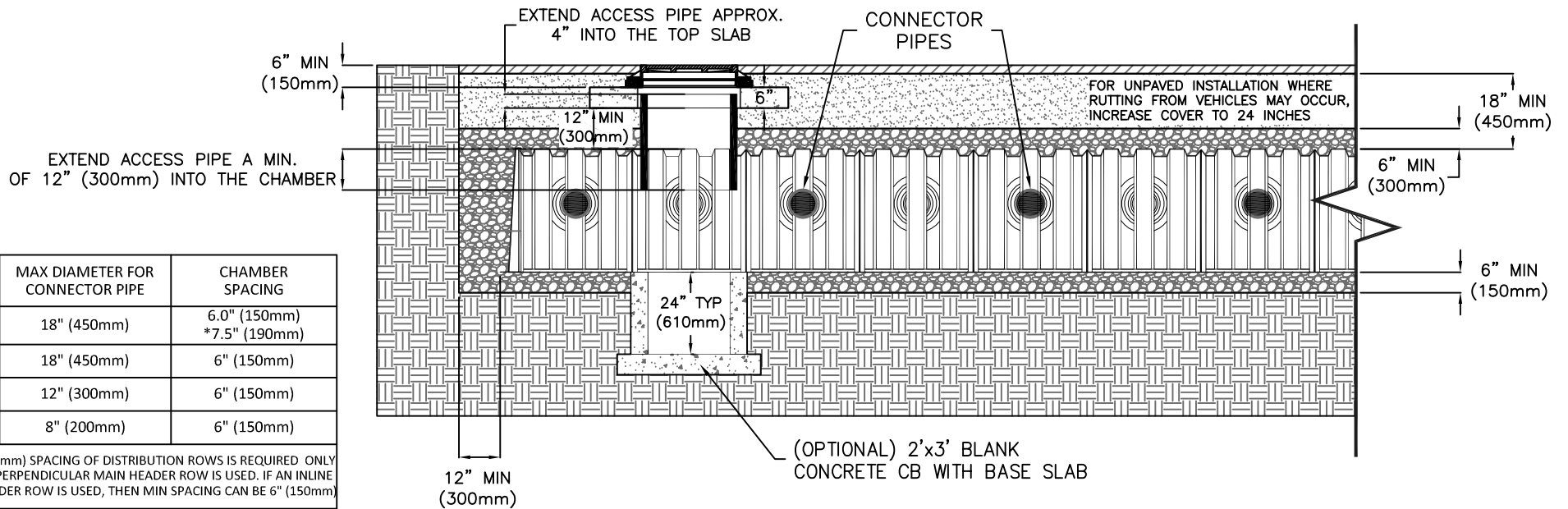
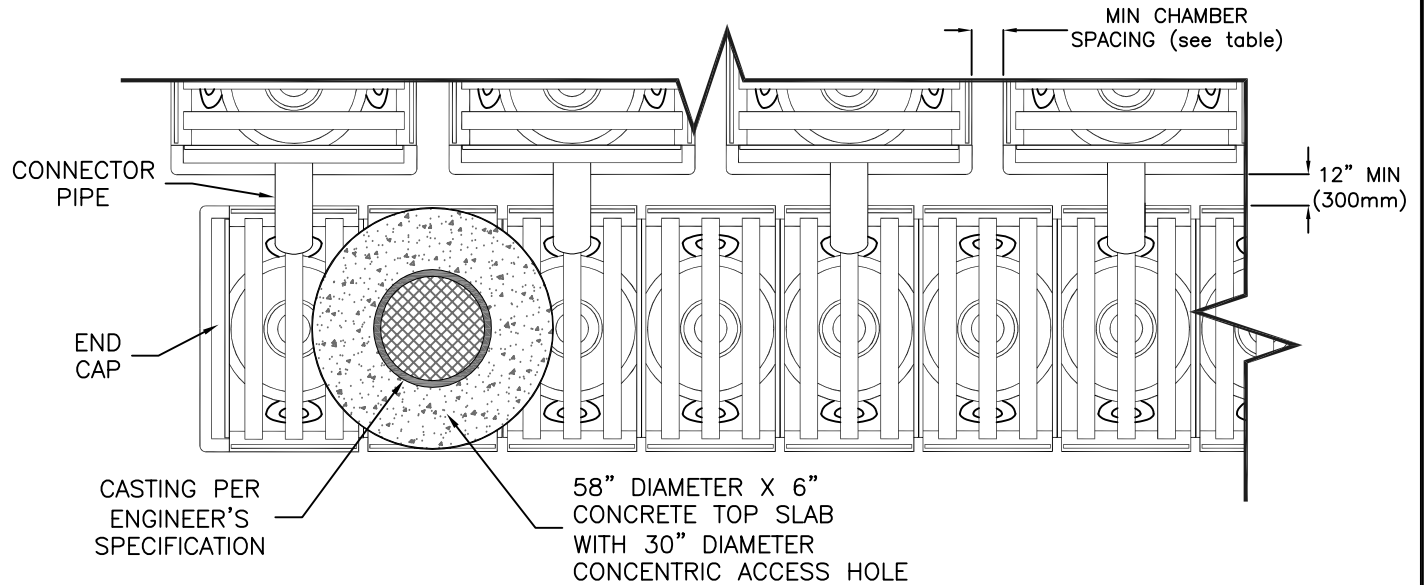


NOTES:

1. 24" (610mm) MINIMUM DEPTH REQUIRED BETWEEN CASTING RIM AND TOP OF CHAMBERS (ASSUMING 4" (102mm) LOW-PROFILE CASTING WITH 1 ADJUSTING RING).
2. CONNECT STANDPIPE TO CHAMBER PER LATEST INSTALLATION INSTRUCTIONS.
3. CONNECTION OF THE STANDPIPE TO THE TOP SLAB IS TYPICALLY NOT NECESSARY. IF A CONNECTION IS DETERMINED TO BE NECESSARY, A FLEXIBLE CONNECTION IS REQUIRED.



	MAX DIAMETER FOR CONNECTOR PIPE	CHAMBER SPACING
S29	18" (450mm)	6.0" (150mm) *7.5" (190mm)
S22	18" (450mm)	6" (150mm)
C10	12" (300mm)	6" (150mm)
M6	8" (200mm)	6" (150mm)

*7.5" (190mm) SPACING OF DISTRIBUTION ROWS IS REQUIRED ONLY WHEN A PERPENDICULAR MAIN HEADER ROW IS USED. IF AN INLINE MAIN HEADER ROW IS USED, THEN MIN SPACING CAN BE 6" (150mm)

CONCEPTUAL PLAN DISCLAIMER
THIS GENERIC DETAIL DOES NOT ENCOMPASS THE SIZING, FIT, AND APPLICABILITY OF THE TRITON CHAMBER SYSTEM FOR THIS SPECIFIC PROJECT. IT IS THE ULTIMATE RESPONSIBILITY OF THE DESIGN ENGINEER TO ASSURE THAT THE STORMWATER SYSTEM DESIGN IS IN FULL COMPLIANCE WITH ALL APPLICABLE LAWS AND REGULATIONS. TRITON PRODUCTS MUST BE DESIGNED AND INSTALLED IN ACCORDANCE WITH TRITON'S MINIMUM REQUIREMENTS. TRITON STORMWATER SOLUTIONS DOES NOT APPROVE PLANS, SIZING, OR SYSTEM DESIGNS. THE DESIGN ENGINEER IS RESPONSIBLE FOR ALL DESIGN DECISIONS.



7600 EAST GRAND RIVER, STE.195
BRIGHTON, MI 48114
PHONE: (810) 222-7652 • FAX: (810) 222-1769
WWW.TRITONSWS.COM

HEADER ROW ACCESS INSPECTION/DIRECT TOP MH CONNECTION

TRITON - STANDARD DETAILS

REVISED:

01-28-16 JWM