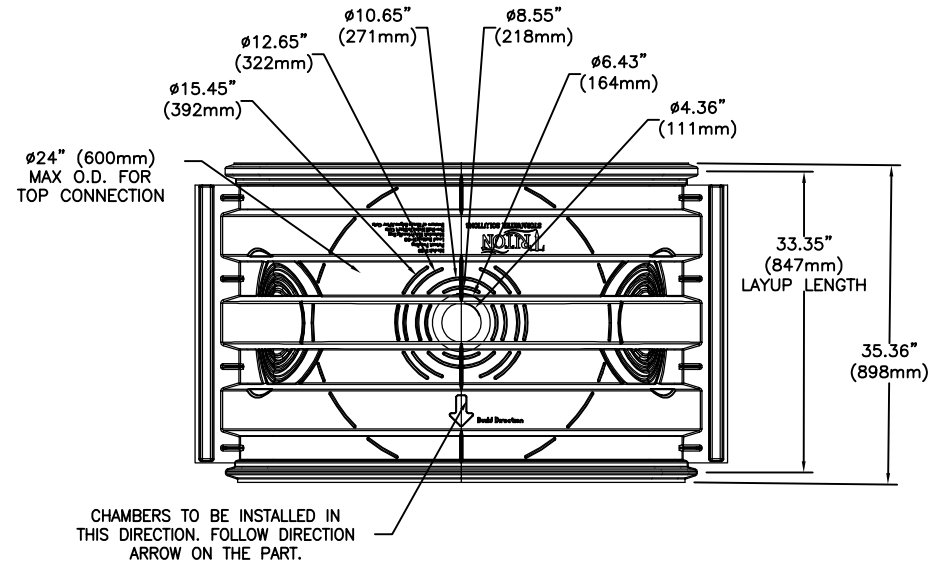
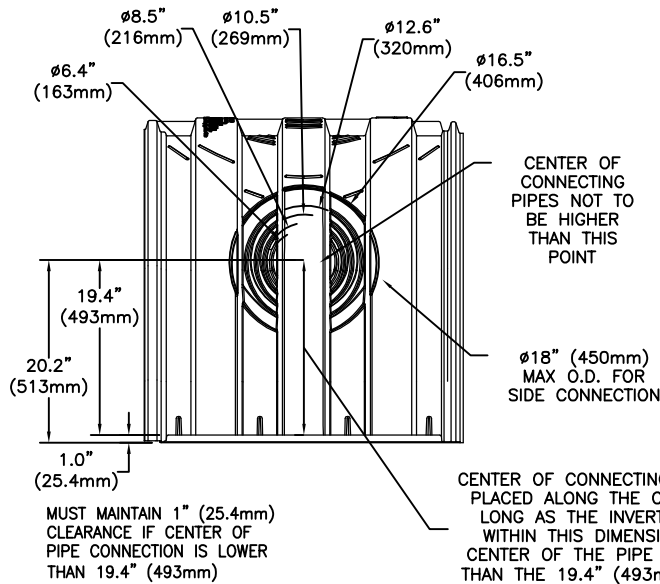
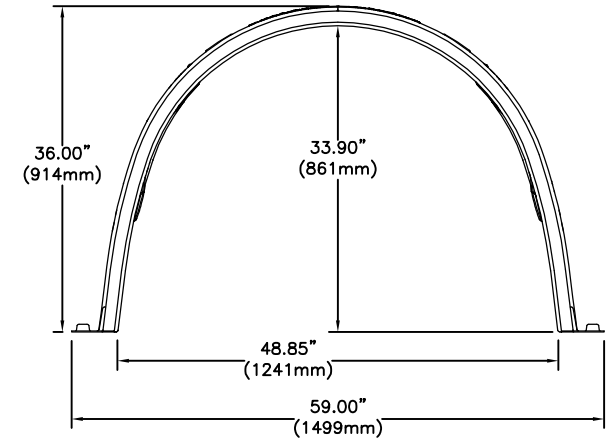


S-29 CHAMBER SPECS	
NOMINAL DIMENSIONS (LAYOUT LENGTH X WIDTH X HEIGHT)	33.35" X 59.00" X 36.00" (847mm X 1499mm X 914mm)
BARE CHAMBER STORAGE	27.35 CUBIC FEET (0.774 CUBIC METERS)
*MIN INSTALLED STORAGE	41.05 CUBIC FEET (1.162 CUBIC METERS)
CHAMBER WEIGHT	32 lbs (14.515 kg)
STORAGE PER LINEAR FOOT WITHOUT STONE	9.84 CUBIC FEET (0.279 CUBIC METERS)
STORAGE PER LINEAR FOOT WITH STONE	14.77 CUBIC FEET (0.418 CUBIC METERS)

*ASSUMING A MIN OF 6" (152mm) STONE ABOVE AND BELOW AND 7.5" (191mm) BETWEEN ROWS WITH 40% STONE POROSITY (DOES NOT INCLUDE 12" (305mm) PERIMETER STONE VOLUME)

NOTE: S-29 CHAMBER DETAILS TESTED AND RATED FOR H-30 LOAD CONDITIONS WITH 18" (457mm) OF COVER AND NO PAVEMENT.



CONCEPTUAL PLAN DISCLAIMER
THIS GENERIC DETAIL DOES NOT ENCOMPASS THE SIZING, FIT, AND APPLICABILITY OF THE TRITON CHAMBER SYSTEM FOR THIS SPECIFIC PROJECT. IT IS THE ULTIMATE RESPONSIBILITY OF THE DESIGN ENGINEER TO ASSURE THAT THE STORMWATER SYSTEM DESIGN IS IN FULL COMPLIANCE WITH ALL APPLICABLE LAWS AND REGULATIONS. TRITON PRODUCTS MUST BE DESIGNED AND INSTALLED IN ACCORDANCE WITH TRITON'S MINIMUM REQUIREMENTS. TRITON STORMWATER SOLUTIONS DOES NOT APPROVE PLANS, SIZING, OR SYSTEM DESIGNS. THE DESIGN ENGINEER IS RESPONSIBLE FOR ALL DESIGN DECISIONS.

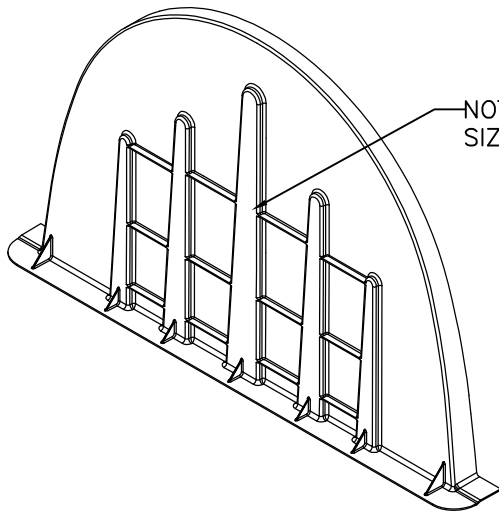


7600 EAST GRAND RIVER, STE.195
BRIGHTON, MI 48114
PHONE: (810) 222-7652 • FAX: (810) 222-1769
WWW.TRITONSW.COM

S-29 CHAMBER DETAIL

TRITON - STANDARD DETAILS

REVISED:
02-26-16 JWM



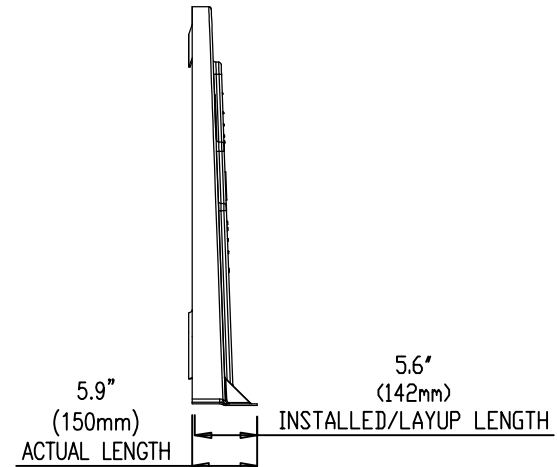
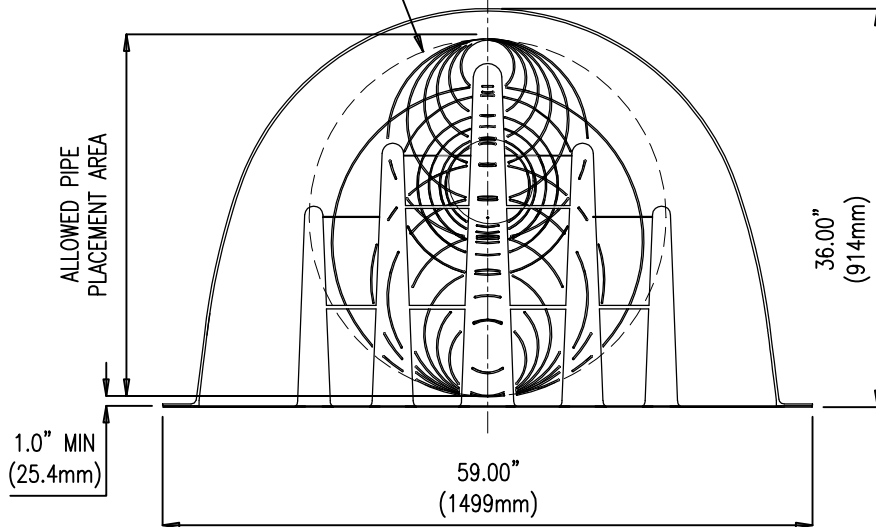
NOTE: REFER TO PAGE 2 FOR SIZES OF DIAMETER CUT GUIDES.

S-29 END CAP SPECS	
NOMINAL DIMENSIONS (LAYUP LENGTH X WIDTH X HEIGHT)	5.90" X 59.00" X 36.00" (150mm X 1499mm X 914mm)
BARE END CAP STORAGE	1.031 CUBIC FEET (0.029 CUBIC METERS)
*MIN INSTALLED STORAGE	4.98 CUBIC FEET (0.141 CUBIC METERS)

*ASSUMING A MIN OF 6" (152mm) STONE ABOVE AND BELOW AND 7.5" (191mm) BETWEEN ROWS WITH 40% STONE POROSITY (DOES NOT INCLUDE 12" (305mm) PERIMETER STONE VOLUME)

ø32" (810mm) MAX O.D.
FOR END CONNECTION
(see page 2 for guide diameters)

ALL PIPE CONNECTIONS
MUST BE INSTALLED ALONG
CHAMBER CAP CENTERLINE.



THE END CAP FITS UP ON THE OUTSIDE OF THE S-29 CHAMBER. REFER TO INSTALLATION MANUAL FOR FURTHER DETAIL.

CONCEPTUAL PLAN DISCLAIMER

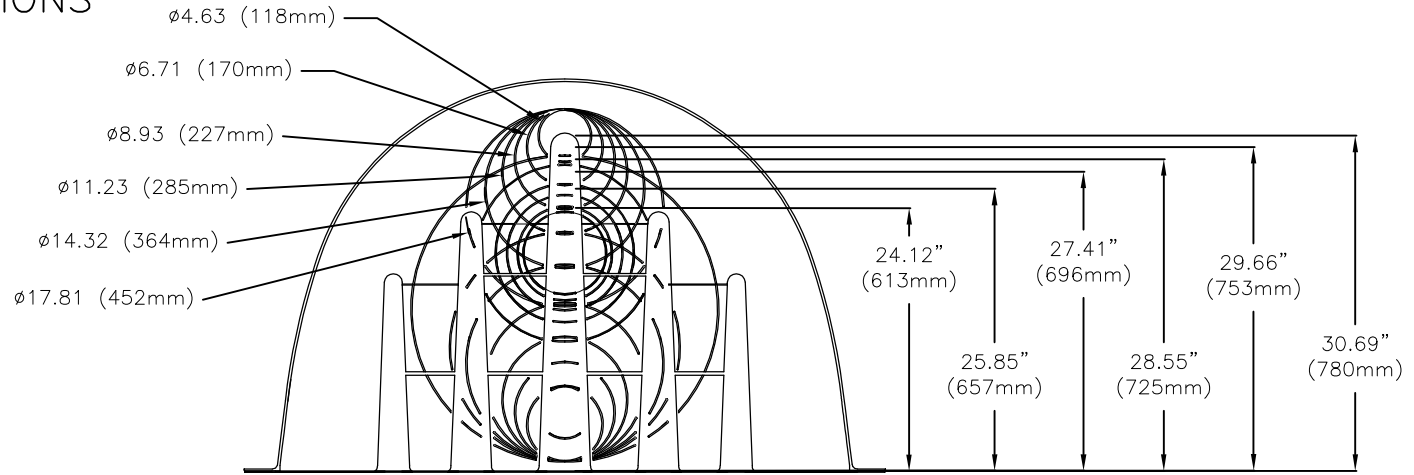
THIS GENERIC DETAIL DOES NOT ENCOMPASS THE SIZING, FIT, AND APPLICABILITY OF THE TRITON CHAMBER SYSTEM FOR THIS SPECIFIC PROJECT. IT IS THE ULTIMATE RESPONSIBILITY OF THE DESIGN ENGINEER TO ASSURE THAT THE STORMWATER SYSTEM DESIGN IS IN FULL COMPLIANCE WITH ALL APPLICABLE LAWS AND REGULATIONS. TRITON PRODUCTS MUST BE DESIGNED AND INSTALLED IN ACCORDANCE WITH TRITON'S MINIMUM REQUIREMENTS. TRITON STORMWATER SOLUTIONS DOES NOT APPROVE PLANS, SIZING, OR SYSTEM DESIGNS. THE DESIGN ENGINEER IS RESPONSIBLE FOR ALL DESIGN DECISIONS.



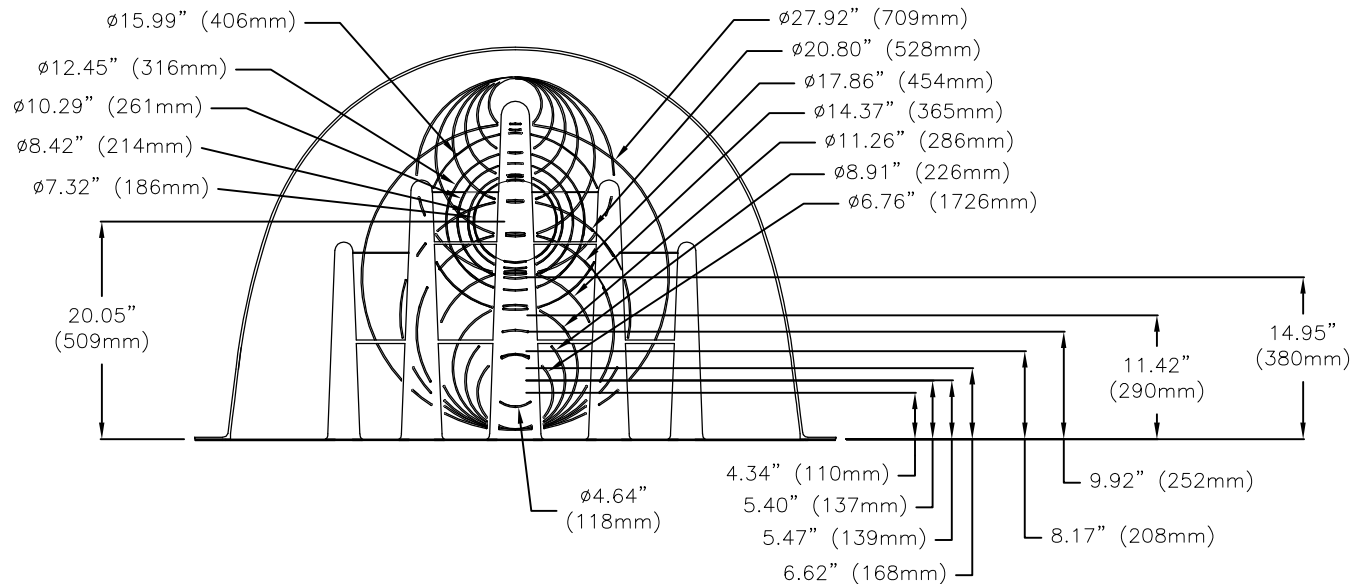
7600 EAST GRAND RIVER, STE.195
BRIGHTON, MI 48114
PHONE: (810) 222-7652 • FAX: (810) 222-1769
WWW.TRITONSWS.COM

S-29 CHAMBER END CAP DETAIL

S-29 END CAP: TOP HOLE DIMENSIONS



S-29 END CAP: CENTER AND BOTTOM HOLE DIMENSIONS



CONCEPTUAL PLAN DISCLAIMER

THIS GENERIC DETAIL DOES NOT ENCOMPASS THE SIZING, FIT, AND APPLICABILITY OF THE TRITON CHAMBER SYSTEM FOR THIS SPECIFIC PROJECT. IT IS THE ULTIMATE RESPONSIBILITY OF THE DESIGN ENGINEER TO ASSURE THAT THE STORMWATER SYSTEM DESIGN IS IN FULL COMPLIANCE WITH ALL APPLICABLE LAWS AND REGULATIONS. TRITON PRODUCTS MUST BE DESIGNED AND INSTALLED IN ACCORDANCE WITH TRITON'S MINIMUM REQUIREMENTS. TRITON STORMWATER SOLUTIONS DOES NOT APPROVE PLANS, SIZING, OR SYSTEM DESIGNS. THE DESIGN ENGINEER IS RESPONSIBLE FOR ALL DESIGN DECISIONS.



7600 EAST GRAND RIVER, STE.195
BRIGHTON, MI 48114
PHONE: (810) 222-7652 • FAX: (810) 222-1769
WWW.TRITONSWS.COM

S-29 CHAMBER END CAP DETAIL

TRITON - STANDARD DETAILS

PAGE 2 OF 2

REVISED:

02-26-16 JWM