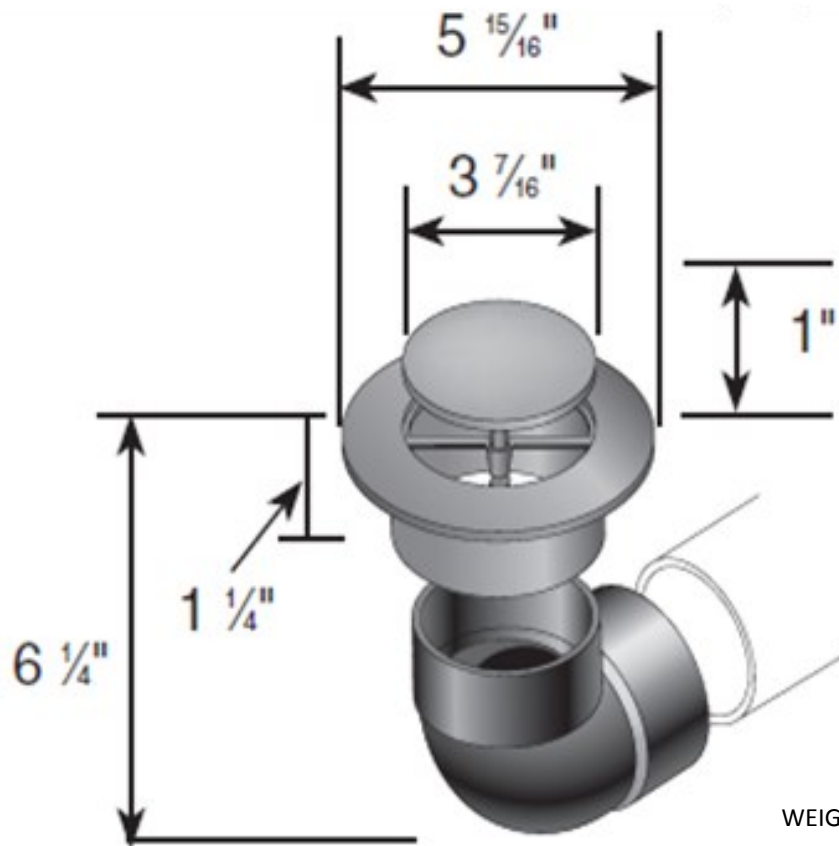


3" DRAINAGE POP-UP EMITTER WITH ELBOW



WEIGHT per EACH:
.521 LBS

Material: High Density Polypropylene (HDPE)
Colors: Green (321)
Fits: Use with 3" Sewer and Drain pipe. May also be used with Flo-Well to relieve overflow.
Will accommodate 40 gallons per minute

Load Recommendation Guide



Class A

- Loads of 1-60 psi.
- Recommended for pedestrians, bicycles and wheel chair traffic.

