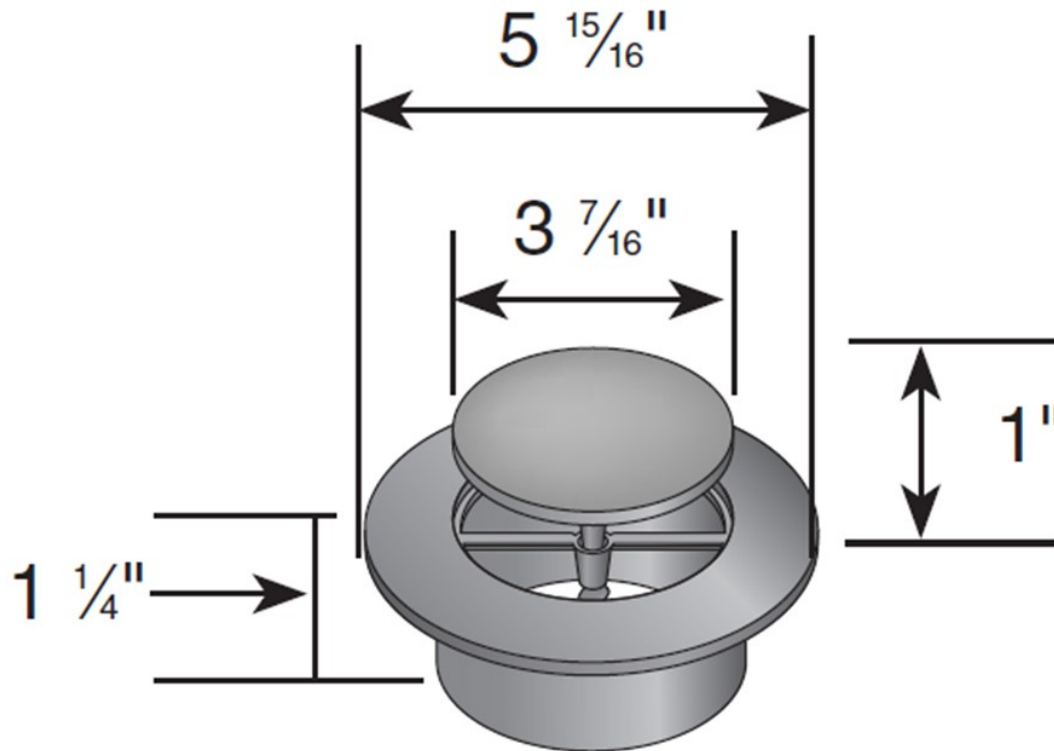


3" and 4" Pop-Up Drainage Emitter



Part #: 420
Material: High Density Polypropylene (HDPE)
Colors: Green
Fits: 3" and 4" sewer and drain pipe/fittings
Flow Rate: 40 G.P.M
UV inhibitor
Spring: Stainless Steel
Spring Tension: 0.04 PSI or 1" water required to rise cap.

Load Recommendation Guide



Class A

- Loads of 1-60 psi.
- Recommended for pedestrians, bicycles and wheel chair traffic.

