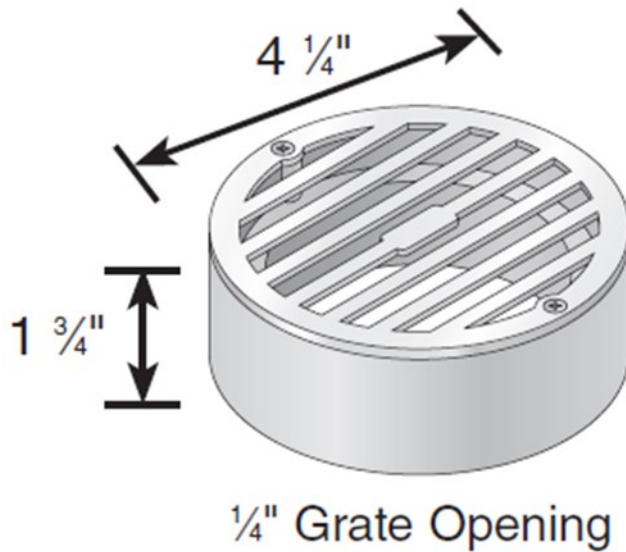


4" ROUND CHROME GRATE W/PVC COLLAR



WEIGHT per EACH:

.660 LBS



ADA Compliant/Heel-proof

Material: Chrome
 Colors: Satin Chrome(917SC), Polished Chrome(908PC)
 Fits: 3" ASTM D-2729 & Triple Wall pipe,
 4" Sewer and Drain Fittings
 Opening: 5.25 in² open space
 Will accommodate 22.71 gallons per minute with 1
 Of head
 Will accommodate 16.06 gallons per minutes with 1/2" of
 head.

Load Recommendation Guide



Class A

- Loads of 1-60 psi.
- Recommended for pedestrians, bicycles and wheel chair traffic.

ADA Compliance

NDS provides a wide selection of grates that are compliant with the Americans with Disabilities Act. The ADA Accessibility Guidelines For Buildings and Facilities Section 4.5.4 specifies that ground and floor grates "shall have spaces no greater than 1/2 in (13 mm) wide in one direction."

We are pleased to provide grates that comply with these requirements, so that no individual need be limited from accessing the area safely and confidently.

To see if a grate is ADA compliant, please check the description of the product in our NDS Drainage Catalog: products that meet these requirements are marked "ADA compliant."

Like to find out more about ADA compliance and NDS? Send us your question and we'd be happy to help.

